



Real wood made to endure.

## FASCIA

- ▶ Covers your substructure for a completed look
- ▶ Consistent finish to rest of deck
- ▶ Durable even at long lengths

### Overall Dimensions

3/4" x 11" x 12'

### Per Unit Weight

19 lbs.

## STAIR TREADS

- ▶ Grooved-surface design for added visibility
- ▶ Bull-nosed, rounded front edge for comfort stepping
- ▶ Consistent, heavy duty structure for stable entryway

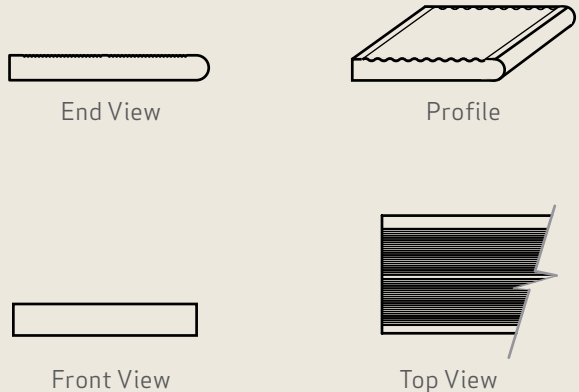
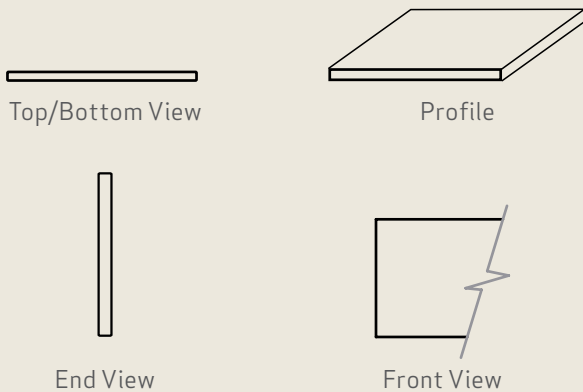
### Overall Dimensions

2" x 12" x 4'

### Per Unit Weight

24 lbs.

### Product Views\*



\*Visit [PerennialWood.com](http://PerennialWood.com) for complete CAD drawings, warranty information and installation instructions.